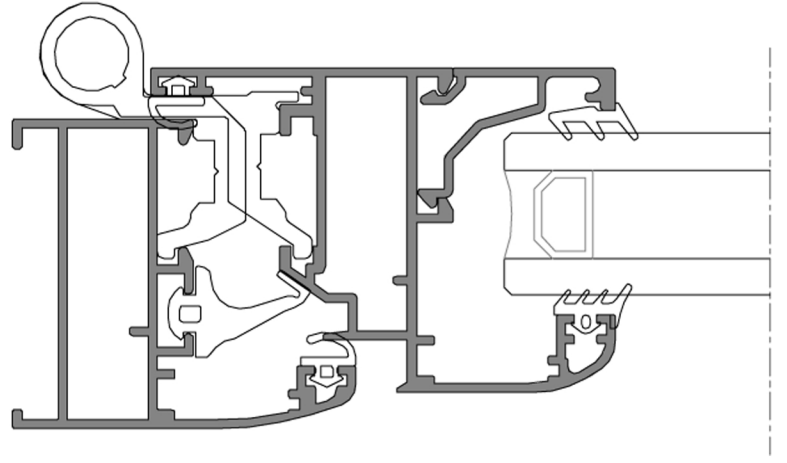




Kapı - Pencere Sistem
Door - Window System



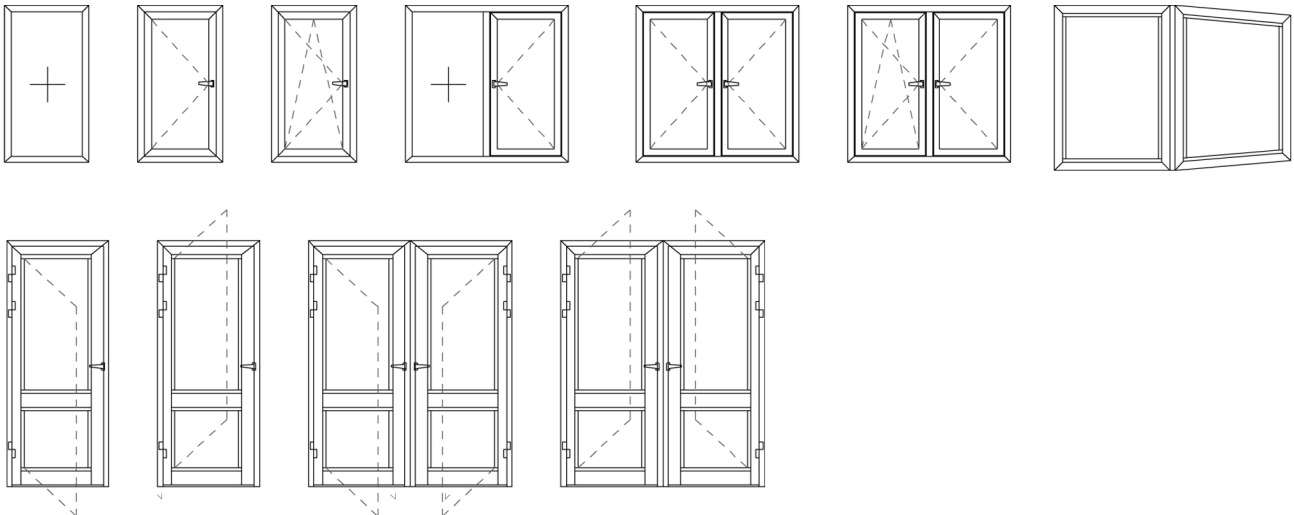
WVD37



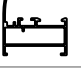
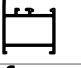
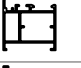
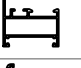




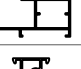
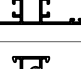
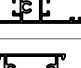
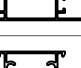
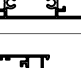
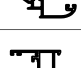
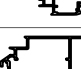







TEKNİK ÖZELLİKLER / TECHNICAL PROPERTIES

KASA GENİŞLİĞİ / FRAME WIDTH	37 - 42 mm
KANAT GENİŞLİĞİ / SASH WIDTH	44 mm
PROFİL ET KALINLIĞI / PROFILE WALL THICKNESS	1,2 - 1,3 mm
MIN. CAM KALINLIĞI / MIN. GLAZING THICKNESS	4 mm
MAKS. CAM KALINLIĞI / MAX. GLAZING THICKNESS	24 mm
MIN. KANAT ÖLÇÜLERİ / MIN. SASH DIMENSIONS	350 x 500 mm
MAX. KANAT ÖLÇÜLERİ / MAX. SASH DIMENSIONS	1300 x 2800 mm
MAX. KANAT AĞIRLIĞI / MAX. SASH WEIGHT	90 kg



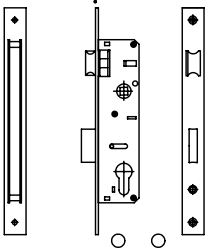
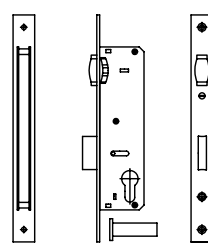
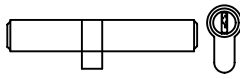
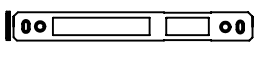
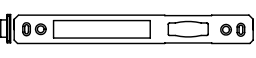
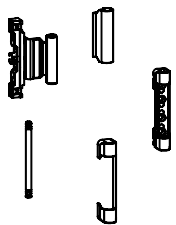
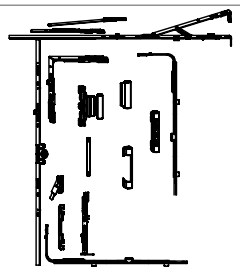
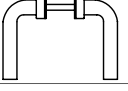
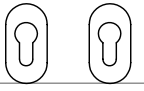
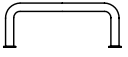
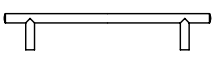
UYGULAMA SEÇENEKLERİ / APPLICATION OPTIONS

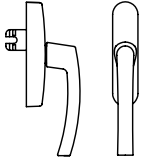
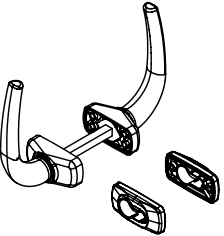
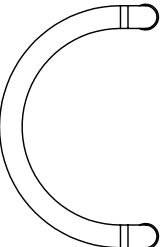




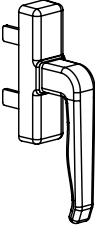
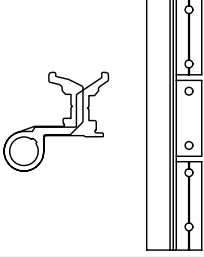
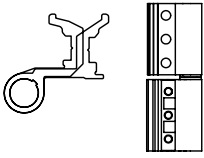
PROF L KES T PROFILE SECTION	PROF L KODU PROFILE CODE	PROF L ADI PROFILE NAME	Jx cm ⁴	Jy cm ⁴	A IRLIK (kg/m) WEIGHT
	13124	KASA PROF L FRAME PROFILE	5,45 cm ⁴	3,26 cm ⁴	0,678 kg/m
	766	KASA PROF L FRAME PROFILE	3,44 cm ⁴	5,29 cm ⁴	0,632 kg/m
	707	KASA PROF L FRAME PROFILE	3,36 cm ⁴	5,36 cm ⁴	0,649 kg/m
	794	KASA PROF L FRAME PROFILE	6,73 cm ⁴	6,46 cm ⁴	0,700 kg/m
	708	KASA PROF L FRAME PROFILE	7,07 cm ⁴	6,81 cm ⁴	0,812 kg/m
	3915	KASA PROF L FRAME PROFILE	2,75 cm ⁴	4,07 cm ⁴	0,572 kg/m
	596	KASA PROF L FRAME PROFILE	6,81 cm ⁴	6,59 cm ⁴	0,719 kg/m
	762	PERVAZLI KASA PROF L SILL FRAME PROFILE	8,57 cm ⁴	9,15 cm ⁴	0,833 kg/m
	6237	PERVAZLI KASA PROF L SILL FRAME PROFILE	9,08 cm ⁴	12,49 cm ⁴	0,875 kg/m
	763	KASA PROF L FRAME PROFILE	11,71 cm ⁴	17,15 cm ⁴	1,021 kg/m
	709	KASA PROF L FRAME PROFILE	11,69 cm ⁴	17,45 cm ⁴	1,045 kg/m
	769	ORTA KAYIT PROF L MULLION PROFILE	4,86 cm ⁴	9,69 cm ⁴	0,752 kg/m
	713	ORTA KAYIT PROF L MULLION PROFILE	4,91 cm ⁴	5,64 cm ⁴	0,809 kg/m
	767	ORTA KAYIT PROF L MULLION PROFILE	6,82 cm ⁴	15,83 cm ⁴	0,945 kg/m
	714	ORTA KAYIT PROF L MULLION PROFILE	6,96 cm ⁴	16,62 cm ⁴	1,057 kg/m
	773	KANAT PROF L SASH PROFILE	5,68 cm ⁴	6,51 cm ⁴	0,728 kg/m
	710	KANAT PROF L SASH PROFILE	5,95 cm ⁴	7,04 cm ⁴	0,757 kg/m
	768	ÇE AÇILIR KANAT PROF L INWARD OPENING SASH PROFILE	20,14 cm ⁴	9,87 cm ⁴	0,933 kg/m
	692	ÇE AÇILIR KANAT PROF L INWARD OPENING SASH PROFILE	23,99 cm ⁴	10,69 cm ⁴	0,977 kg/m
	599	DI A AÇILIR KANAT PROF L OUTWARD OPENING SASH PROFILE	24,15 cm ⁴	9,87 cm ⁴	0,997 kg/m
	795	DI A AÇILIR KANAT PROF L OUTWARD OPENING SASH PROFILE	20,14 cm ⁴	9,06 cm ⁴	0,933 kg/m
	691	DI A AÇILIR KANAT PROF L OUTWARD OPENING SASH PROFILE	23,99 cm ⁴	9,69 cm ⁴	0,977 kg/m

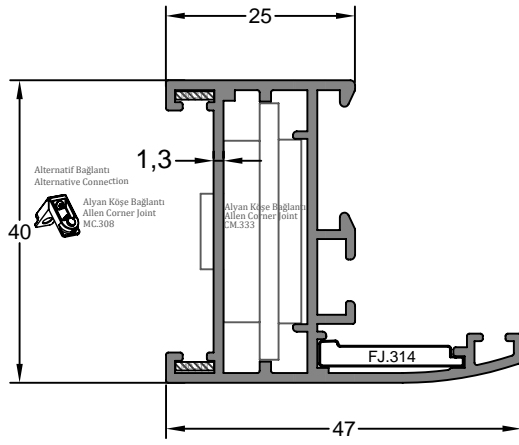
PROF L KES T PROFILE SECTION	PROF L KODU PROFILE CODE	PROF L ADI PROFILE NAME	Jx cm ⁴	Jy cm ⁴	A IRLIK (kg/m) WEIGHT
	600	DI A AÇILIR KANAT PROF L OUTWARD OPENING SASH PROFILE	24,15 cm ⁴	10,94 cm ⁴	0,997 kg/m
	752	ETEK PROF L BOTTOM PROFILE	-	-	1,413 kg/m
	715	ETEK PROF L BOTTOM PROFILE	-	-	1,532 kg/m
	759	KÖ E DÖNÜ ADAPTÖR PROF L CORNER ADAPTER PROFILE	-	-	0,307 kg/m
	755	KÖ E DÖNÜ PROF L CORNER PROFILE	5,90 cm ⁴	5,90 cm ⁴	0,541 kg/m
	2240	KÖ E DÖNÜ PROF L CORNER PROFILE	4,25 cm ⁴	4,25 cm ⁴	0,499 kg/m
	758	KÖ E DÖNÜ PROF L CORNER PROFILE	2,74 cm ⁴	3,72 cm ⁴	0,460 kg/m
	760	ADAPTÖR PROF L ADAPTER PROFILE	-	-	0,724 kg/m
	4242	DAMLALIK PROF L SILL PROFILE	-	-	0,094 kg/m
	7021	DAMLALIK PROF L SILL PROFILE	-	-	0,140 kg/m
	13123	PERVAZ PROF L SILL PROFILE	-	-	0,236 kg/m
	764	PERVAZ PROF L SILL PROFILE	-	-	0,385 kg/m
	785	LAMBR PROF L PANELING PROFILE	-	-	1,017 kg/m
	8241	T J PROF L STEM BAR PROFILE	-	-	0,099 kg/m
	792	CAM ÇİTASI (26.5 mm) GLAZING BEAD (26.5 mm)	-	-	0,301 kg/m
	7023	CAM ÇİTASI (24 mm) GLAZING BEAD (24 mm)	-	-	0,294 kg/m
	770	CAM ÇİTASI (21.5 mm) GLAZING BEAD (21.5 mm)	-	-	0,270 kg/m
	664	CAM ÇİTASI (18 mm) GLAZING BEAD (18 mm)	-	-	0,266 kg/m
	665	CAM ÇİTASI (18 mm) GLAZING BEAD (18 mm)	-	-	0,253 kg/m
	791	CAM ÇİTASI (14 mm) GLAZING BEAD (14 mm)	-	-	0,246 kg/m
	793	CAM ÇİTASI (13.5 mm) GLAZING BEAD (13.5 mm)	-	-	0,235 kg/m
	12699	CAM ÇİTASI (9.5 mm) GLAZING BEAD (9.5 mm)	-	-	0,243 kg/m

AKSESUAR ACCESSORY	STOK KODU REFERENCE CODE	AKSESUAR ADI DESCRIPTION	AKSESUAR KODU PRODUCT CODE	PAKET PACK
	AKS1227	KASA KANAT F T L FRAME SASH GASKET	WD37-KBF.70	303 mt / paket 10 kg
	AKS1253	DI CAM F T L OUTER GLAZING GASKET	WD37-DCF.25	240 mt / paket 10 kg
	AKS1338	Ç CAM F T L INNER GLAZING GASKET	WD37- CF.30	330 mt / paket 10 kg
	AKS1339	Ç CAM F T L INNER GLAZING GASKET	WD37- CF.40	205 mt / paket 10 kg
	AKS1341	Ç CAM F T L INNER GLAZING GASKET	WD37- CF.50	175 mt / paket 10 kg
	AKS8912	ORTA B N F T L MIDDLE GASKET	WD37-OBF.35	123 mt / paket 10 kg
	AKS824	ALÜM NYUM KAPI ALTI FIRÇASI ALUMINIUM DOORBASE BRUSH	WD37-KF.200	100 ad / 1 pk
	AKS778	ALYAN KÖ E BA LANTI ALLEN CORNER JOINT	WD37-MC.305	250 ad / 1 pk
	AKS780	ALYAN KÖ E BA LANTI ALLEN CORNER JOINT	WD37-MC.307	250 ad / 1 pk
	AKS781	ALYAN KÖ E BA LANTI ALLEN CORNER JOINT	WD37-MC.308	250 ad / 1 pk
	AKS797	ALYAN KÖ E BA LANTI ALLEN CORNER JOINT	WD37-MC.327	250 ad / 1 pk
	AKS801	ALYAN KÖ E BA LANTI ALLEN CORNER JOINT	WD37-CM.333	250 ad / 1 pk
	AKS785	KÖ E ÇAVU U CORNER CONNECTION	WD37-FJ.314	250 ad / 1 pk
	AKS748	KANAT Ç KÖ E GÖNYE CORNER BRACKET	WD37-KG.206	500 ad / 1 pk
	AKS1912	CAM TAKOZU (3X20X80 mm) GLAZING WEDGE (3X20X80 mm)	WD37-CT.203	1000 ad / 1 pk
	AKS1915	CAM TAKOZU (5X20X80 mm) GLAZING WEDGE (5X20X80 mm)	WD37-CT.208	1000 ad / 1 pk
	AKS1916	CAM TAKOZU (5X28X80 mm) GLAZING WEDGE (5X28X80 mm)	WD37-CT.210	1000 ad / 1 pk
	AKS1557	SAB T PERDEL YA MUR TAHL YE KAPAK WATER DRAIN COVER (FIXED)	WD37-TK.115	1000 ad / 1 pk
	AKS1556	HAREKETL PERDEL YA MUR TAHL YE KAPAK WATER DRAIN COVER (MOVEABLE)	WD37-TK.112	1000 ad / 1 pk
	AKS743	AYARLI SPANYOLET KAR ILI I (SETSKURLU) ADJUSTABLE ESPAGNOLETTE STRIKER (PINNED)	WD37-TPK.201	100 ad / 1 pk

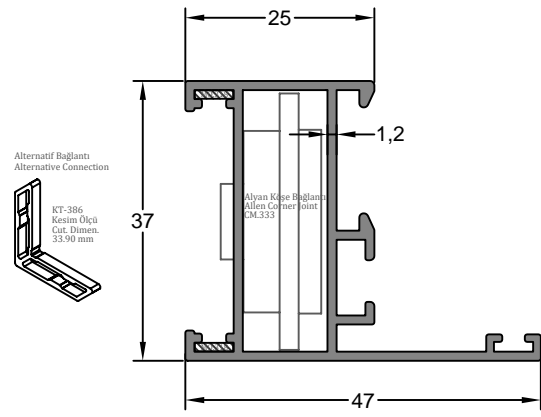
AKSESUAR ACCESSORY	STOK KODU REFERENCE CODE	AKSESUAR ADI DESCRIPTION	AKSESUAR KODU PRODUCT CODE	PAKET PACK
	AKS752	PVC KANALLI SPANYOLET KAR ILI I PVC GROOVE ESPAGNOLETTE STRIKER(SCREWED)	WD37-PK.217	100 ad / 1 pk
	AKS739	SPANYOLET P M (EURO KANAL) ESPAGNOLETTE PIN (EURO CHANNEL)	WD37-TP.100	100 ad / 1 pk
	AKS1667	153/35 mm D LL K L T BOLT LOCK	WD37-DK.401	30 ad / 1 pk
	AKS1671	155/35 mm MAKARALI K L T ROLLED LOCK	WD37-MK.405	30 ad / 1 pk
	AKS1718	76 mm BAREL 76 mm CYLINDER	WD37-BR.103	24 ad / 1 pk
	AKS420	OVAL SER K L T KAR ILI I (D LL) OVAL SERIES LOCK STRIKER (BOLT)	WD37-KK.210	50 ad / 1 pk
	AKS421	OVAL SER K L T KAR ILI I (MAKARALI) OVAL SERIES LOCK STRIKER (ROLLED)	WD37-KK.211	50 ad / 1 pk
	AKS540	PVC KANALLI TEK AÇILIM MENTE E TAKIMI (9/18) PVC GROOVED CASEMENT HINGE (9/18)	WD37-PM.650	1 pk / 100 ad
	AKS541	PVC KANALLI Ç FT AÇILIM MENTE E TAKIMI (9/18) PVC GROOVED TILT&TURN SET (9/18)	WD37-PMT.680	1 pk / 100 ad
	AKS291	YAYLI SOS S KOL SPRING DOOR HANDLE	WD37-YK.104	50 ad / 1 pk
	AKS293	YAYLI SOS S KOL BAREL ROZET SPRING DOOR HANDLE CYLINDER BADGE	WD37-BR.109	2 ad / 1 pk
	AKS401	U KOL (ELOKSALLI) U SHAPED HANDLE (ANODIZED)	WD37-UK.101	10 ad / 1 pk
	AKS219	H KOL (ELOKSALLI) H SHAPED HANDLE (ANODIZED)	WD37-HK.309	10 ad / 1 pk

AKSESUAR ACCESSORY	STOK KODU REFERENCE CODE	AKSESUAR ADI DESCRIPTION	AKSESUAR KODU PRODUCT CODE	PAKET PACK
	AKS120	EKSENEL KOL ROTO (ELOKSALLI) ROTO AXIAL HANDLE (ANODIZED)	WD37-RK.601	10 ad / 1 pk
	AKS121	EKSENEL KOL ROTO (ELOKSALLI K L TL) ROTO AXIAL HANDLE (ANODIZED LOCKED)	WD37-RK.604	10 ad / 1 pk
	AKS307	FORZA EFOR YAYLI KAPI KOLU (BEYAZ) FORZA EFOR DOOR HANDLE (WHITE)	WD37-FK.902	10 ad / 1 pk
	AKS308	FORZA EFOR YAYLI KAPI KOLU (RENKL) FORZA EFOR DOOR HANDLE (COLORED)	WD37-FK.903	10 ad / 1 pk
	AKS309	FORZA EFOR YAYLI KAPI KOLU (NATUREL) FORZA EFOR DOOR HANDLE (NATURAL)	WD37-FK.904	10 ad / 1 pk
	AKS125	FORZA YANKI EKSENEL PENCERE KOLU (PRES) FORZA YANKI AXIAL WINDOW HANDLE (PRESS)	WD37-EK.809	50 ad / 1 pk
	AKS126	FORZA YANKI EKSENEL PENCERE KOLU (NATUREL) FORZA YANKI AXIAL WINDOW HANDLE (NATURAL)	WD37-EK.810	50 ad / 1 pk
	AKS127	FORZA YANKI EKSENEL PENCERE KOLU (BEYAZ) FORZA YANKI AXIAL WINDOW HANDLE (WHITE)	WD37-EK.811	50 ad / 1 pk
	AKS128	FORZA YANKI EKSENEL PENCERE KOLU (RENKL) FORZA YANKI AXIAL WINDOW HANDLE (COLORED)	WD37-EK.812	50 ad / 1 pk
	AKS122	FORZA EFOR EKSENEL PENCERE KOLU (BEYAZ) FORZA EFOR AXIAL WINDOW HANDLE (WHITE)	WD37-FPK.702	20 ad / 1 pk
	AKS123	FORZA EFOR EKSENEL PENCERE KOLU (RENKL) FORZA EFOR AXIAL WINDOW HANDLE (COLORED)	WD37-FPK.703	20 ad / 1 pk
	AKS124	FORZA EFOR EKSENEL PENCERE KOLU (NATUREL) FORZA EFOR AXIAL WINDOW HANDLE (NATURAL)	WD37-FPK.803	20 ad / 1 pk
	AKS185	AKBANK KAPI KOLU (PRES) AKBANK DOOR HANDLE (PRESS)	WD37-AK.100	10 ad / 1 pk
	AKS186	AKBANK KAPI KOLU (ELOKSALLI) AKBANK DOOR HANDLE (ANODIZED)	WD37-AK.101	10 ad / 1 pk
	AKS187	AKBANK KAPI KOLU (BEYAZ) AKBANK DOOR HANDLE (WHITE)	WD37-AK.102	10 ad / 1 pk
	AKS188	AKBANK KAPI KOLU (RENKL) AKBANK DOOR HANDLE (COLORED)	WD37-AK.103	10 ad / 1 pk
	AKS174	YARIM AY KAPI KOLU (ELOKSALLI) SEMI-CIRCULAR DOOR HANDLE (ANODIZED)	WD37-YAK.901	10 ad / 1 pk
	AKS175	YARIM AY KAPI KOLU (B. BOYALI) SEMI-CIRCULAR DOOR HANDLE (PAINTED)	WD37-YAK.902	10 ad / 1 pk
	AKS176	YARIM AY KAPI KOLU (RENKL) SEMI-CIRCULAR DOOR HANDLE (COLORED)	WD37-YAK.903	10 ad / 1 pk
	AKS3987	90 CM PLEKS BANT KOL (PRES) 90 CM HANDLE (PRESS)	WD37-LBK.210	10 ad / 1 pk
	AKS3988	100 CM PLEKS BANT KOL (PRES) 100 CM HANDLE (PRESS)	WD37-LBK.211	10 ad / 1 pk

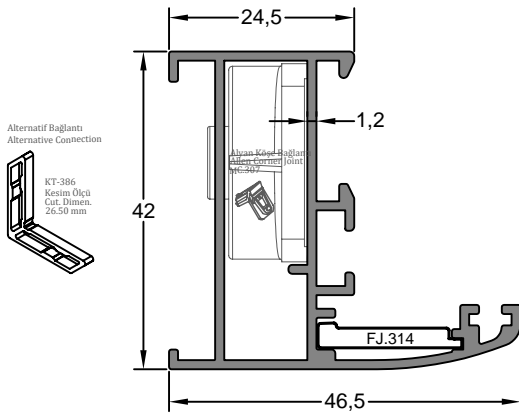
AKSESUAR ACCESSORY	STOK KODU REFERENCE CODE	AKSESUAR ADI DESCRIPTION	AKSESUAR KODU PRODUCT CODE	PAKET PACK
	AKS196	50 CM YAY KOL (PRES) 50 CM ARROW HANDLE (PRESS)	WD37-YK.199	10 ad / 1 pk
	AKS197	50 CM YAY KOL (BEYAZ) 50 CM ARROW HANDLE (WHITE)	WD37-YK.200	10 ad / 1 pk
	AKS198	50 CM YAY KOL (ELOKSALLI) 50 CM ARROW HANDLE (ANODIZED)	WD37-YK.201	10 ad / 1 pk
	AKS199	50 CM YAY KOL (RENKL) 50 CM ARROW HANDLE (COLORED)	WD37-YK.202	10 ad / 1 pk
	AKS159	KIVRIK KOL (ELOKSALLI) CONVOLUTED HANDLE (ANODIZED)	WD37-VK.401	10 ad / 1 pk
	AKS153	25 mm 20 cm KIVRIK KOL (PRES) SEMI-CIRCULAR HANDLE (PRESS)	WD37-KKP.300	10 ad / 1 pk
	AKS158	25 mm 30 cm KIVRIK KOL (PRES) SEMI-CIRCULAR HANDLE (PRESS)	WD37-KKP.400	10 ad / 1 pk
	AKS3918	FORZA YANKI EKSENEL PENCERE KOLU Ç FT D LL (NATUREL) FORZA YANKI AXIAL WINDOW HANDLE (NATUREL)	WD37-FYK.820	20 ad / 1 pk
	AKS3919	FORZA YANKI EKSENEL PENCERE KOLU Ç FT D LL (BEYAZ) FORZA YANKI AXIAL WINDOW HANDLE (WHITE)	WD37-FYK.821	20 ad / 1 pk
	AKS3920	FORZA YANKI EKSENEL PENCERE KOLU Ç FT D LL (RENKL) FORZA YANKI AXIAL WINDOW HANDLE (COLORED)	WD37-FYK.822	20 ad / 1 pk
	AKS3921	FORZA YANKI EKSENEL PENCERE KOLU Ç FT D LL (PRES) FORZA YANKI AXIAL WINDOW HANDLE (PRESS)	WD37-FYK.823	20 ad / 1 pk
	AKS77	OVAL SER KAPI MENTE E (ELOKSALLI) OVAL SERIES DOOR HINGE (ANODIZED)	WD37-PM.601	10 ad / 1 pk
	AKS78	OVAL SER KAPI MENTE E (BEYAZ) OVAL SERIES DOOR HINGE (WHITE)	WD37-PM.602	10 ad / 1 pk
	AKS79	OVAL SER KAPI MENTE E (RENKL) OVAL SERIES DOOR HINGE (COLORED)	WD37-PM.603	10 ad / 1 pk
	AKS73	OVAL SER PENCERE MENTE E (ELOKSALLI) OVAL SERIES WINDOW HINGE (ANODIZED)	WD37-PM.301	10 ad / 1 pk
	AKS74	OVAL SER PENCERE MENTE E (BEYAZ) OVAL SERIES WINDOW HINGE (WINDOW)	WD37-PM.302	10 ad / 1 pk
	AKS75	OVAL SER PENCERE MENTE E (RENKL) OVAL SERIES WINDOW HINGE (COLORED)	WD37-PM.303	10 ad / 1 pk
	AKS499	AYARLI KADEMEL MAKAS 5 KADEME ADJUSTABLE TRUSS	WD37-KM.1000	10 ad / 1 pk
	AKS500	AYARLI KADEMEL MAKAS 3 KADEME ADJUSTABLE TRUSS	WD37-KM.1001	10 ad / 1 pk
	AKS498	ALM. OVAL SER VAS STAS MAKAS ALM. OVAL SERIES TRANSOM SCISSORS	WD37-VM.800	10 ad / 1 pk



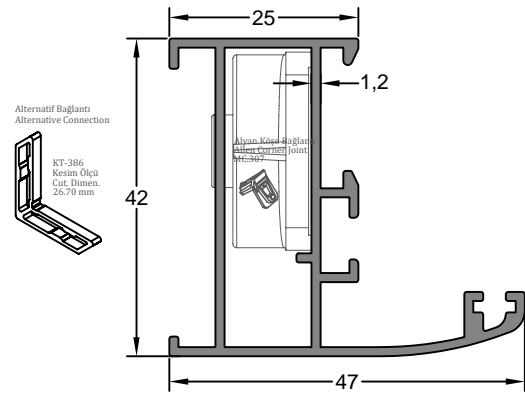
Kasa Profili	Profil Kodu	(kg/mt)	Jx cm ⁴	Jy cm ⁴
FRAME PROFILE	Profile Code	weight		
	13124	0,678	5,45	3,26



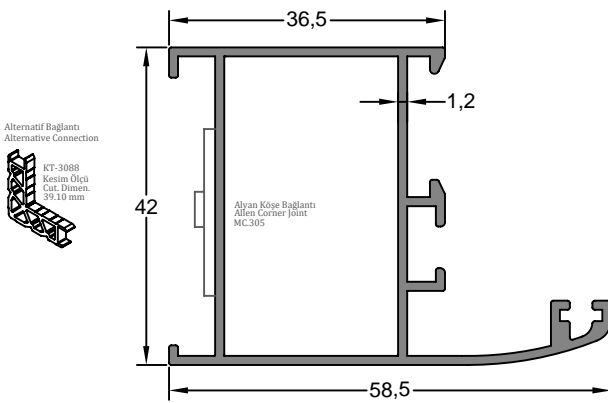
Kasa Profili	Profil Kodu	(kg/mt)	Jx cm ⁴	Jy cm ⁴
FRAME PROFILE	Profile Code	Weight		
	3915	0,572	2,75	4,07



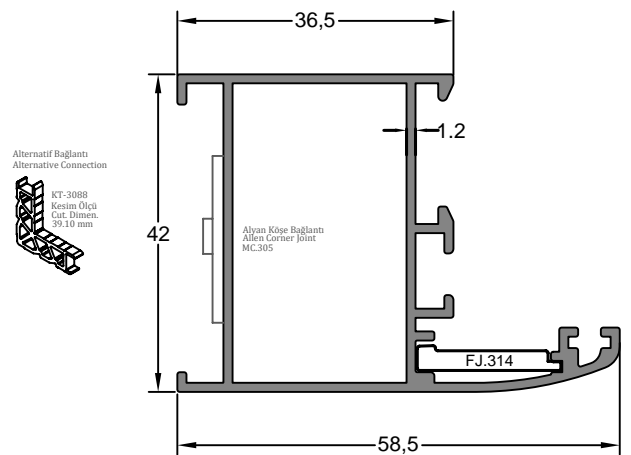
Kasa Profili	Profil Kodu	(kg/mt)	Jx cm ⁴	Jy cm ⁴
FRAME PROFILE	Profile Code	weight		
	707	0,649	3,36	5,36



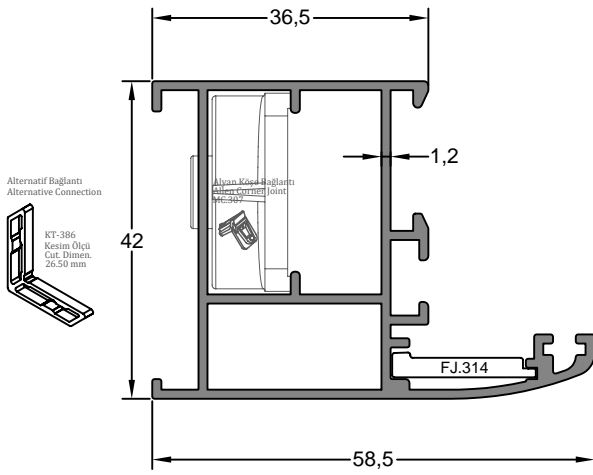
Kasa Profili	Profil Kodu	(kg/mt)	Jx cm ⁴	Jy cm ⁴
FRAME PROFILE	Profile Code	weight		
	766	0,632	3,44	5,29



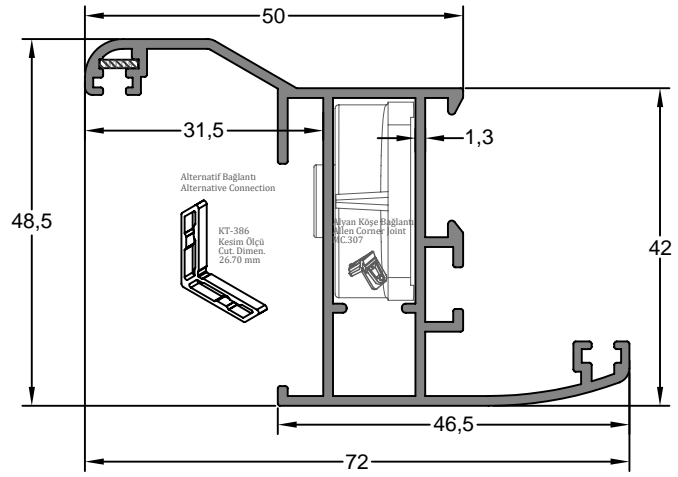
Kasa Profili	Profil Kodu	(kg/mt)	Jx cm ⁴	Jy cm ⁴
FRAME PROFILE	Profile Code	weight		
	794	0,700	6,73	6,46



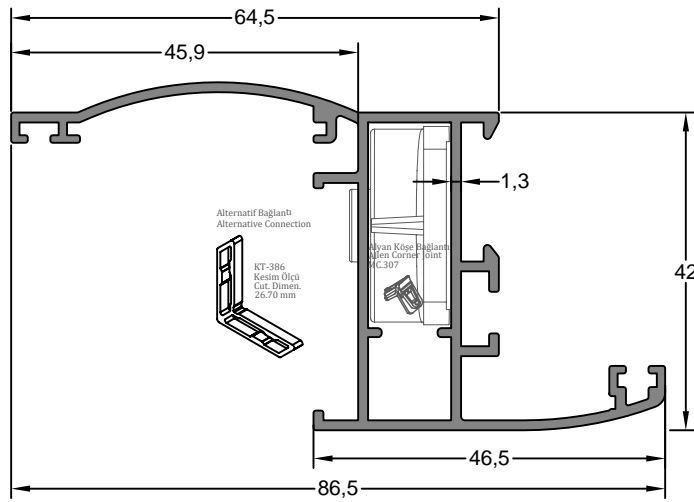
Kasa Profili	Profil Kodu	(kg/mt)	Jx cm ⁴	Jy cm ⁴
FRAME PROFILE	Profile Code	weight		
	596	0,719	6,81	6,59



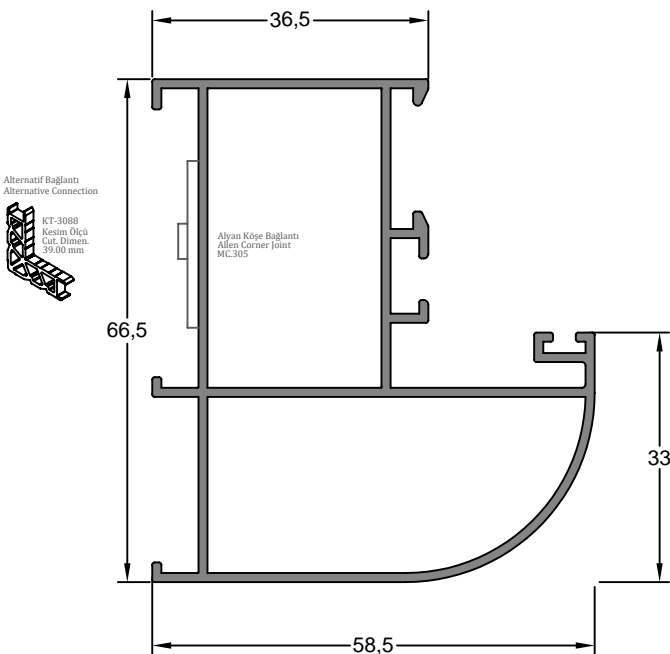
Kasa Profili	Profil Kodu	(kg/mt)	Jx cm ⁴	Jy cm ⁴
FRAME PROFILE	Profile Code	Weight		
	708	0,812	7,07	6,81



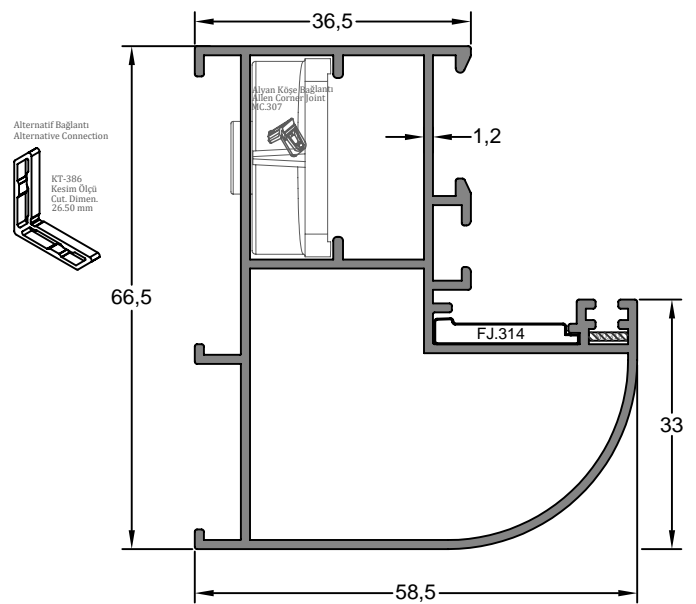
Kasa Profili	Profil Kodu	(kg/mt)	Jx cm ⁴	Jy cm ⁴
FRAME PROFILE	Profile Code	Weight		
	762	0,833	8,57	9,15



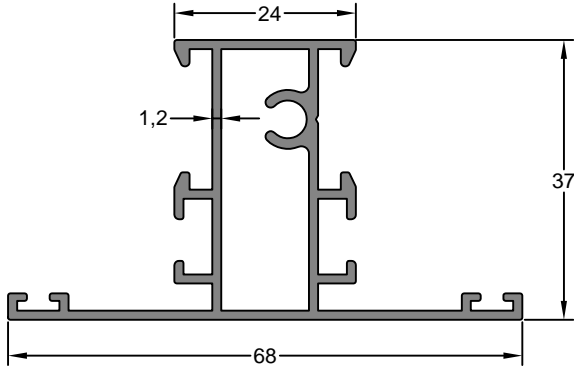
Kasa Profili	Profil Kodu	(kg/mt)	Jx cm ⁴	Jy cm ⁴
FRAME PROFILE	Profile Code	Weight		
	6237	0,875	9,08	12,49



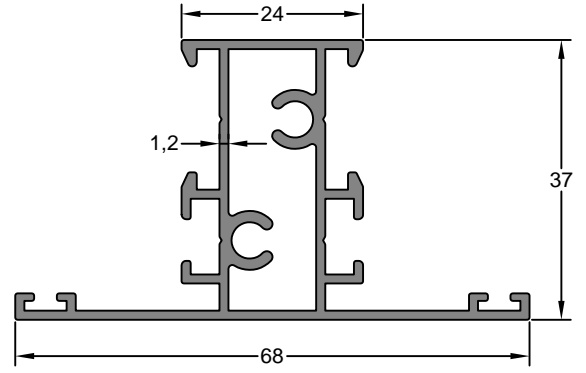
Kasa Profili	Profil Kodu	(kg/mt)	Jx cm ⁴	Jy cm ⁴
FRAME PROFILE	Profile Code	Weight		
	763	1,021	11,71	17,15



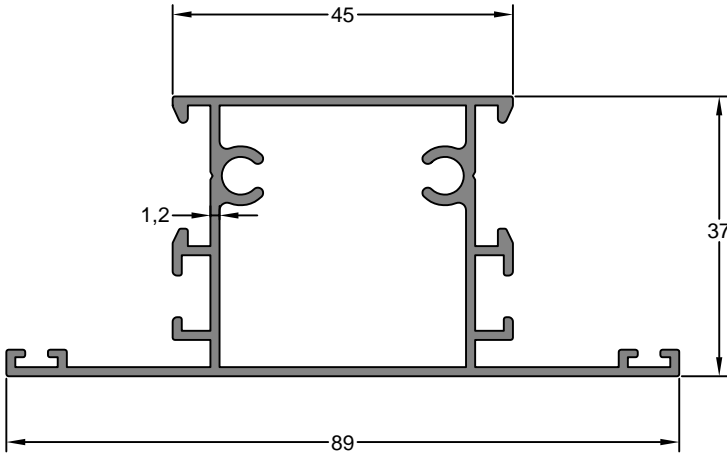
Kasa Profili	Profil Kodu	(kg/mt)	Jx cm ⁴	Jy cm ⁴
FRAME PROFILE	Profile Code	Weight		
	709	1,045	11,69	17,45



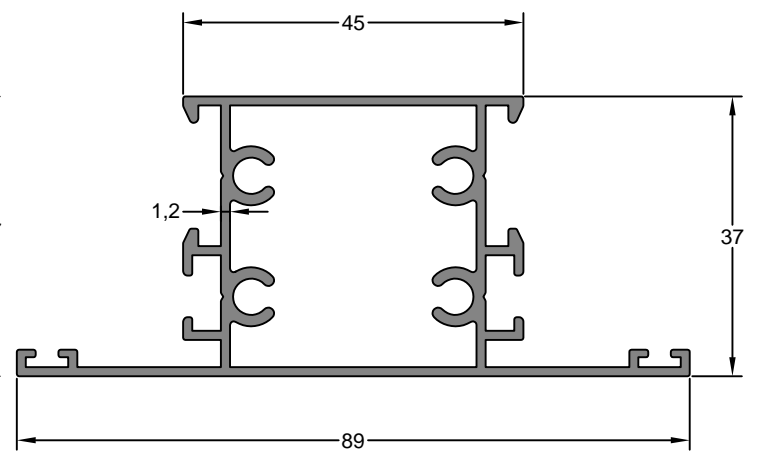
Orta Kayıt Profili MULLION PROFILE	Profil Kodu Profile Code	(kg/mt) weight	Jx cm ⁴	Jy cm ⁴
	769	0,752	4,86	9,69



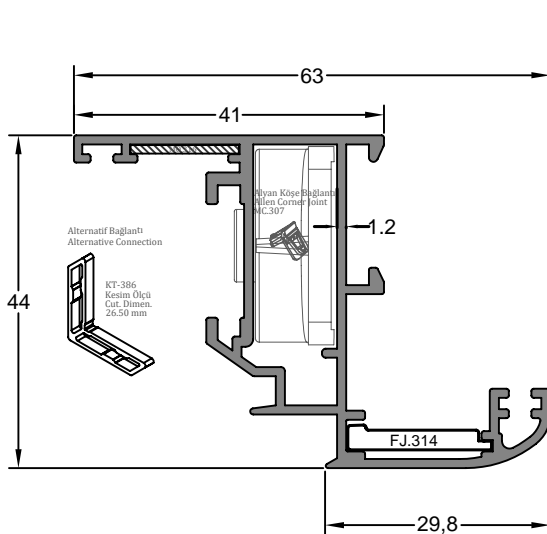
Orta Kayıt Profili MULLION PROFILE	Profil Kodu Profile Code	(kg/mt) weight	Jx cm ⁴	Jy cm ⁴
	713	0,809	4,91	5,64



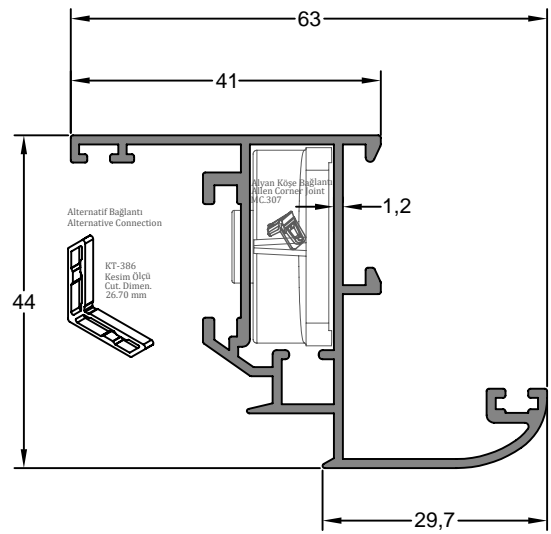
Orta Kayıt Profili MULLION PROFILE	Profil Kodu Profile Code	(kg/mt) weight	Jx cm ⁴	Jy cm ⁴
	767	0,945	6,82	15,83



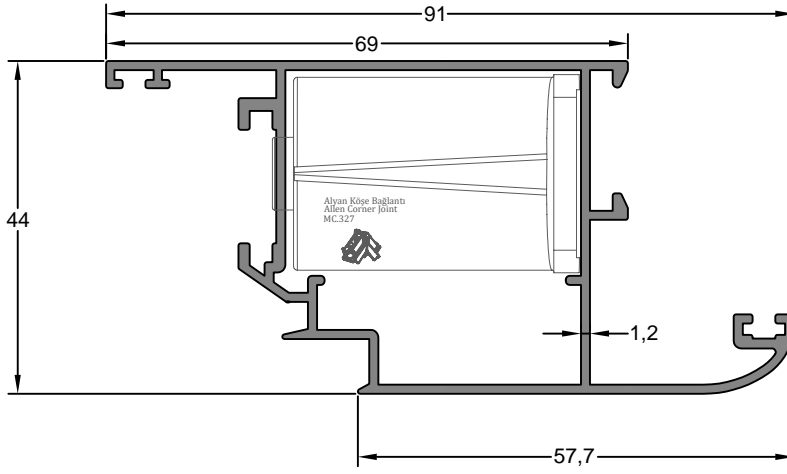
Orta Kayıt Profili MULLION PROFILE	Profil Kodu Profile Code	(kg/mt) Weight	Jx cm ⁴	Jy cm ⁴
	714	1,057	6,96	16,62



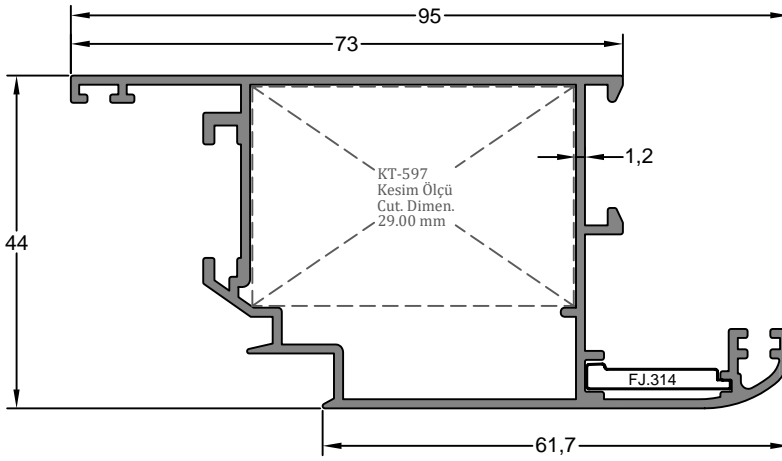
Kanat Profili SASH PROFILE	Profil Kodu Profile Code	(kg/mt) Weight	Jx cm ⁴	Jy cm ⁴
	710	0,757	5,95	7,04



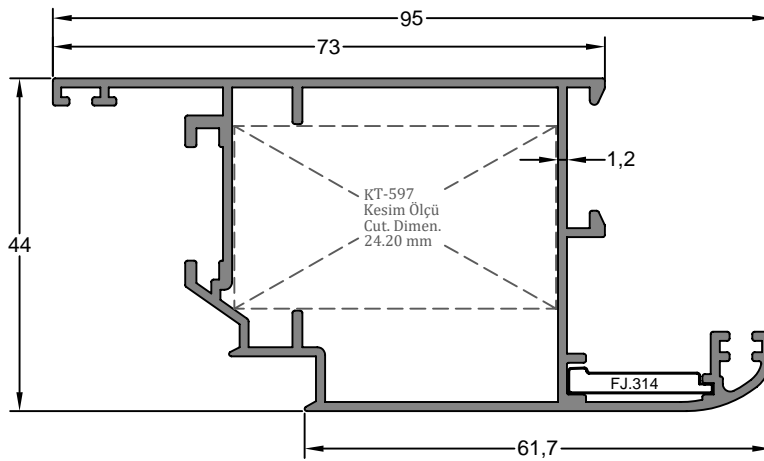
Kanat Profili SASH PROFILE	Profil Kodu Profile Code	(kg/mt) Weight	Jx cm ⁴	Jy cm ⁴
	773	0,728	5,68	6,51



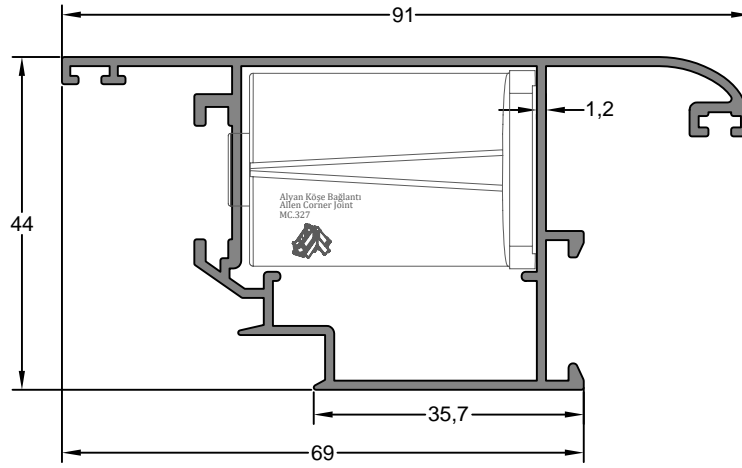
çe Açılır Kanat Profili INWARD OPENING SASH PROFILE	Profil Kodu Profile Code	(kg/mt) Weight	Jx cm ⁴	Jy cm ⁴
	768	0,933	20,14	9,87



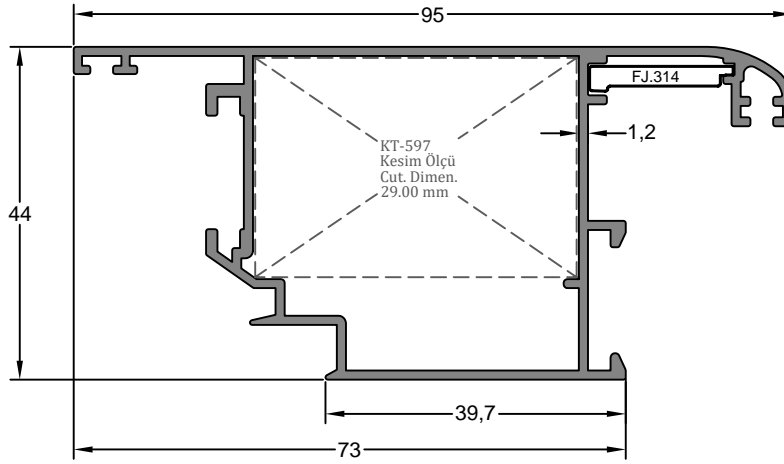
çe Açılır Kanat Profili INWARD OPENING SASH PROFILE	Profil Kodu Profile Code	(kg/mt) Weight	Jx cm ⁴	Jy cm ⁴
	692	0,977	23,99	10,69



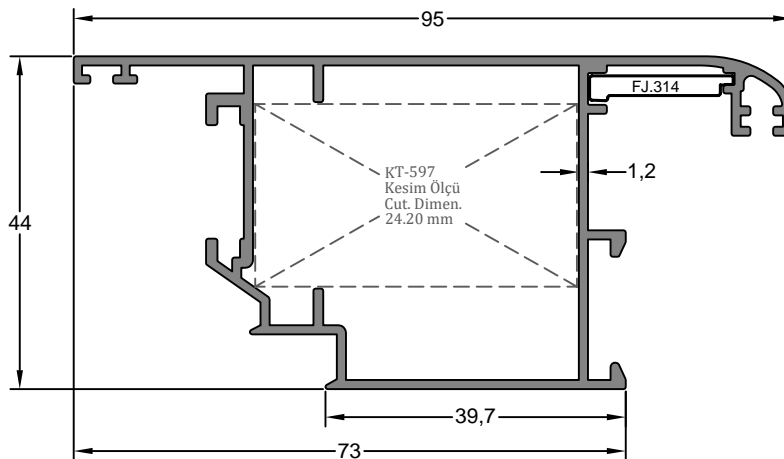
çe Açılır Kanat Profili INWARD OPENING SASH PROFILE	Profil Kodu Profile Code	(kg/mt) Weight	Jx cm ⁴	Jy cm ⁴
	600	0,997	24,15	10,94



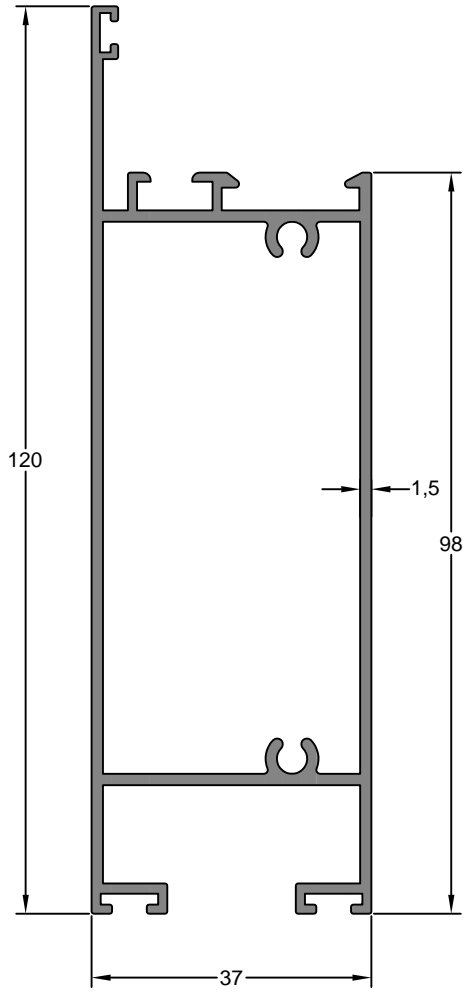
Dış Açılır Kanat Profili	Profil Kodu	(kg/mt)	Jx cm ⁴	Jy cm ⁴
OUTWARD OPENING SASH PROFILE	Profile Code	Weight		
	795	0,933	20,14	9,06



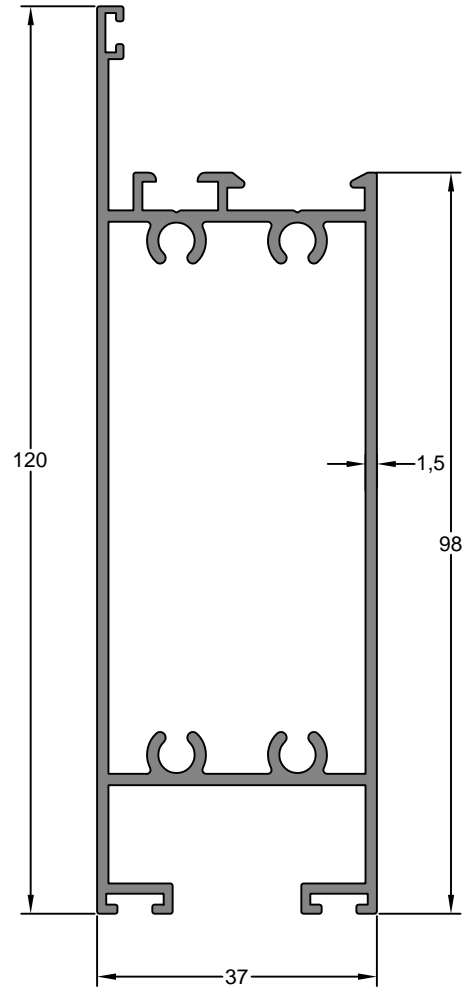
Dış Açılır Kanat Profili	Profil Kodu	(kg/mt)	Jx cm ⁴	Jy cm ⁴
OUTWARD OPENING SASH PROFILE	Profile Code	Weight		
	691	0,977	23,99	9,69



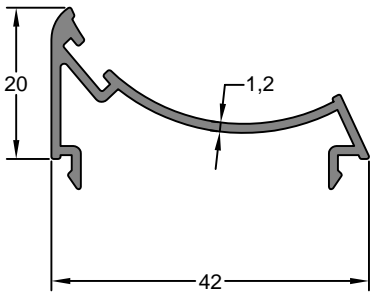
Dış Açılır Kanat Profili	Profil Kodu	(kg/mt)	Jx cm ⁴	Jy cm ⁴
OUTWARD OPENING SASH PROFILE	Profile Code	Weight		
	599	0,997	24,15	9,87



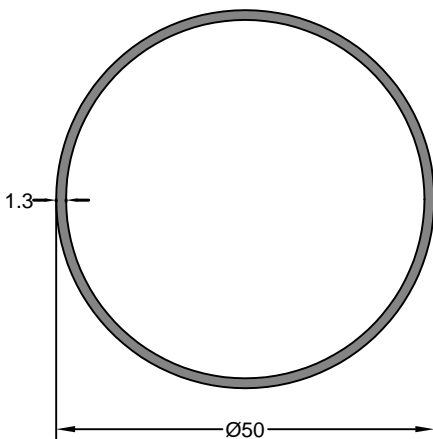
Etek Profili	Profil Kodu	(kg/mt)	Jx cm ⁴	Jy cm ⁴
BOTTOM PROFILE	752	1,413	66,93	12,28



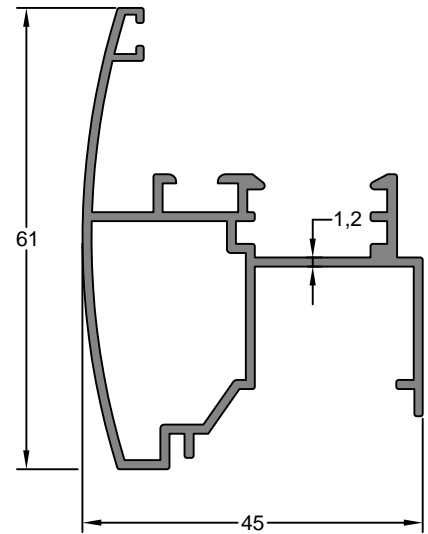
Etek Profili	Profil Kodu	(kg/mt)	Jx cm ⁴	Jy cm ⁴
BOTTOM PROFILE	715	1,532	71,95	12,55



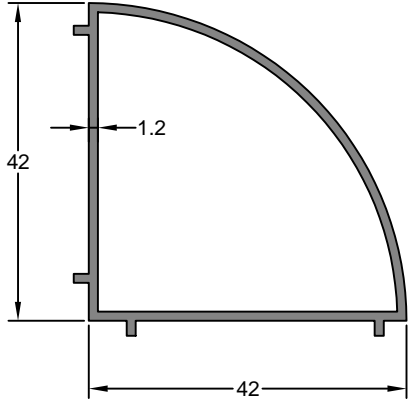
Kö e Dönü Profili	Profil Kodu	(kg/mt)
CORNER PROFILE	759	0,307



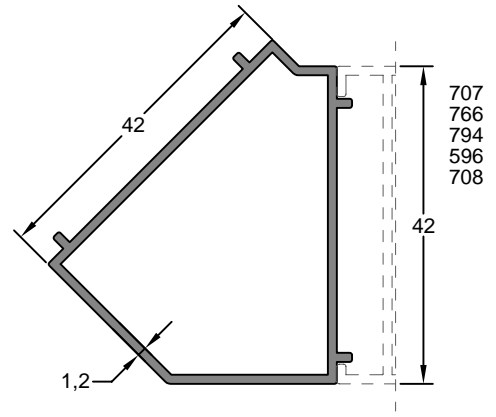
Kö e Dönü Profili	Profil Kodu	(kg/mt)
CORNER PROFILE	755	0,541



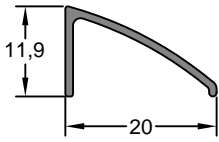
Adaptör Profili	Profil Kodu	(kg/mt)
ADAPTER PROFILE	760	0,724



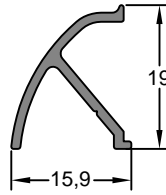
Kö e Dönü Profili CORNER PROFILE	Profil Kodu Profile Code	(kg/mt) Weight	Jx cm ⁴	Jy cm ⁴
	2240	0,499	4,25	4,25



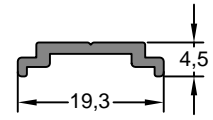
Kö e Dönü Profili CORNER PROFILE	Profil Kodu Profile Code	(kg/mt) Weight	Jx cm ⁴	Jy cm ⁴
	758	0,460	2,74	3,72



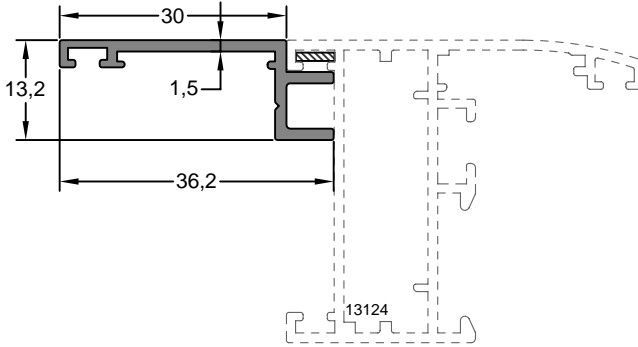
Damlalık Profili SILL PROFILE	Profil Kodu Profile Code	(kg/mt) Weight
	4242	0,094



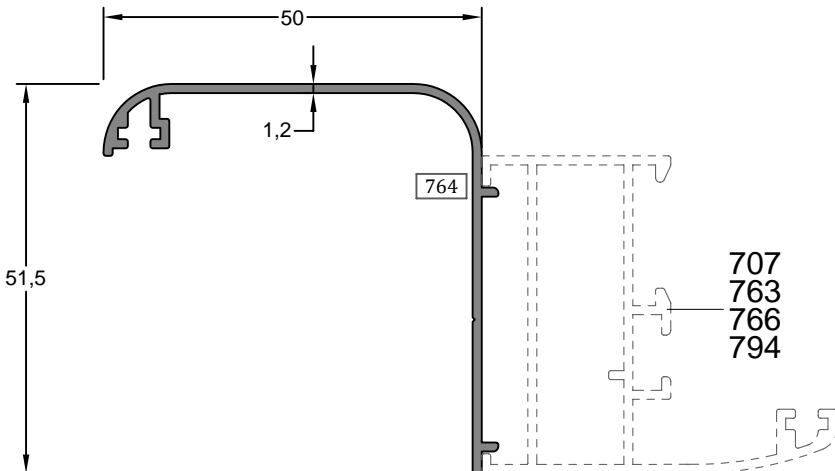
Damlalık Profili SILL PROFILE	Profil Kodu Profile Code	(kg/mt) Weight
	7021	0,140



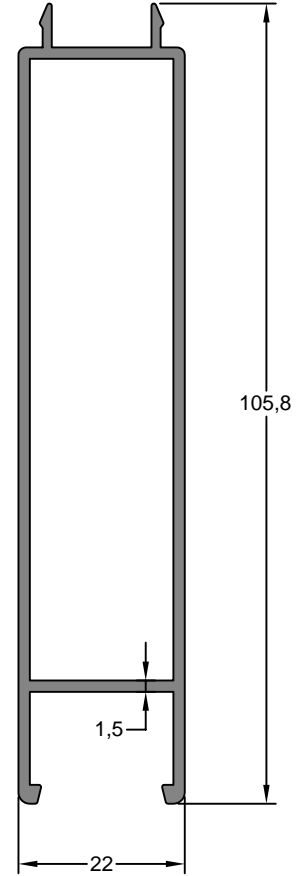
Tij Profili STEM BAR PROFILE	Profil Kodu Profile Code	(kg/mt) Weight
	8241	0,099



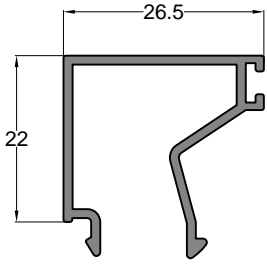
Pervaz Profili SILL PROFILE	Profil Kodu Profile Code	(kg/mt) Weight
	13123	0,236



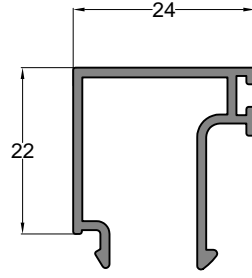
Pervaz Profili SILL PROFILE	Profil Kodu Profile Code	(kg/mt) Weight
	764	0,385



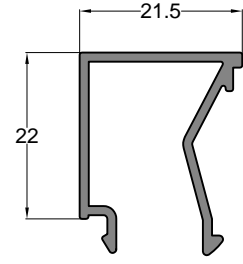
Lambri Profili PANELING PROFILE	Profil Kodu Profile Code	(kg/mt) Weight
	785	1,017



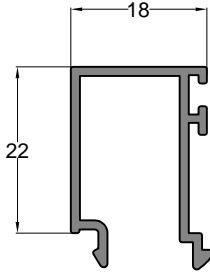
Cam Çıtası	Profil Kodu	(kg/mt)
GLAZING BEAD	Profile Code	Weight
	792	0,301



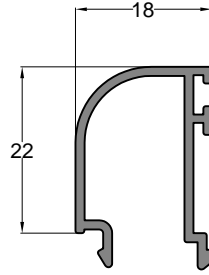
Cam Çıtası	Profil Kodu	(kg/mt)
GLAZING BEAD	Profile Code	Weight
	7023	0,294



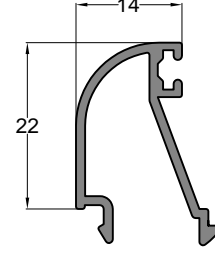
Cam Çıtası	Profil Kodu	(kg/mt)
GLAZING BEAD	Profile Code	Weight
	770	0,270



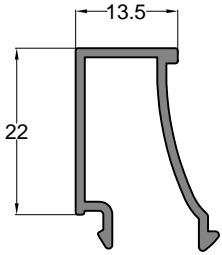
Cam Çıtası	Profil Kodu	(kg/mt)
GLAZING BEAD	Profile Code	Weight
	664	0,266



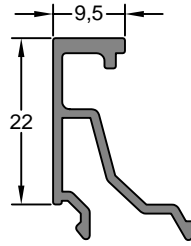
Cam Çıtası	Profil Kodu	(kg/mt)
GLAZING BEAD	Profile Code	Weight
	665	0,253



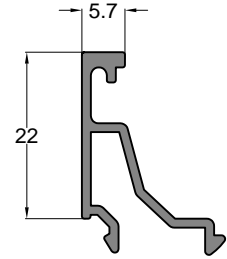
Cam Çıtası	Profil Kodu	(kg/mt)
GLAZING BEAD	Profile Code	Weight
	791	0,246



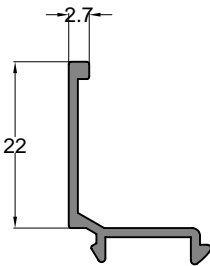
Cam Çıtası	Profil Kodu	(kg/mt)
GLAZING BEAD	Profile Code	Weight
	793	0,235



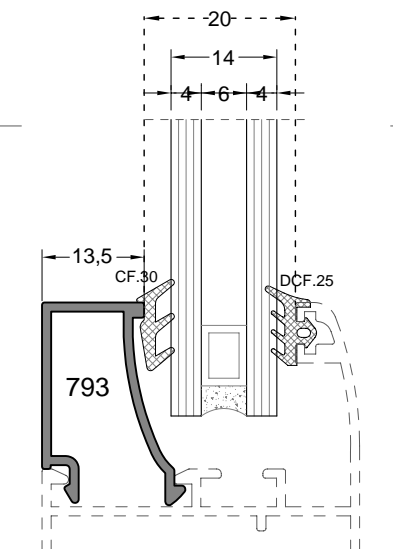
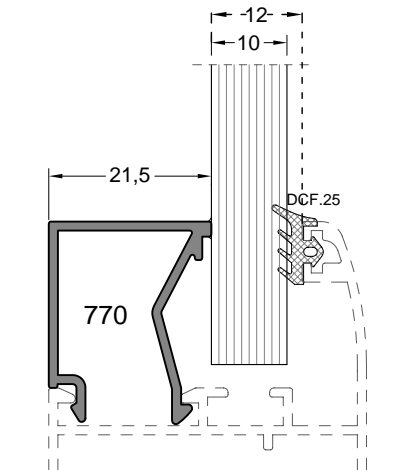
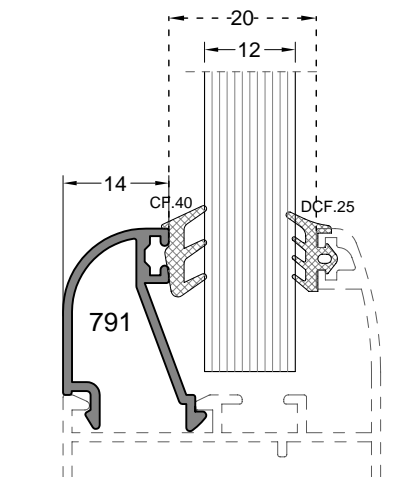
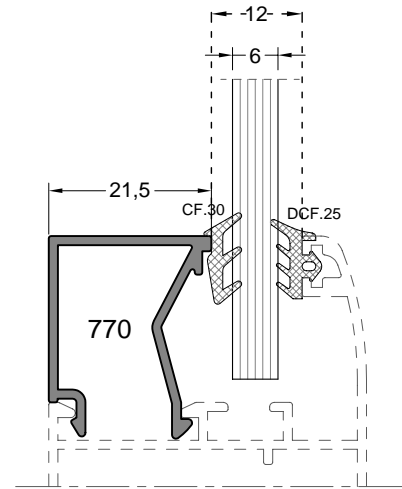
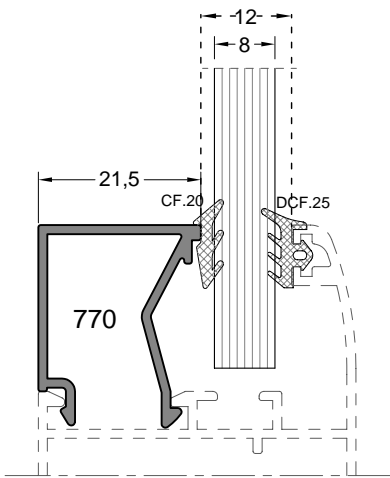
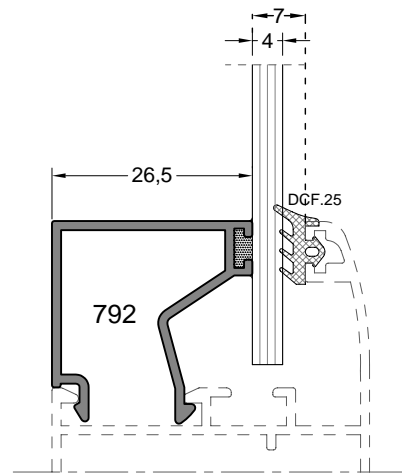
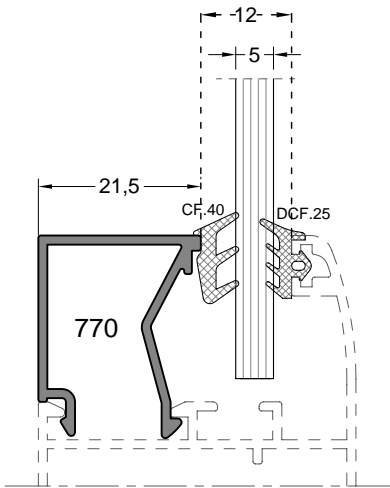
Cam Çıtası	Profil Kodu	(kg/mt)
GLAZING BEAD	Profile Code	Weight
	12699	0,243

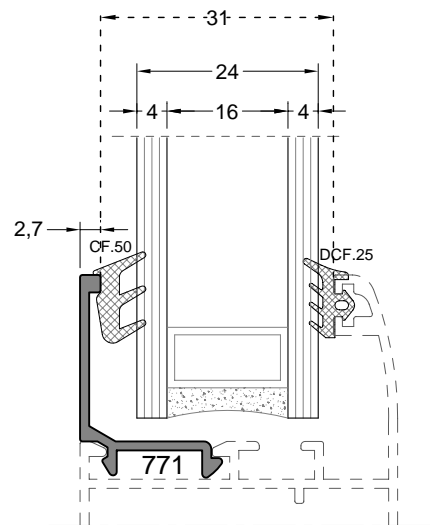
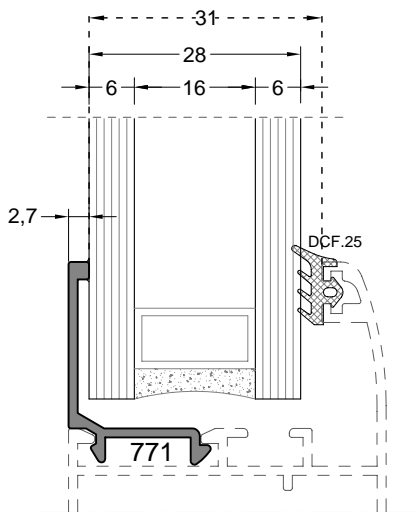
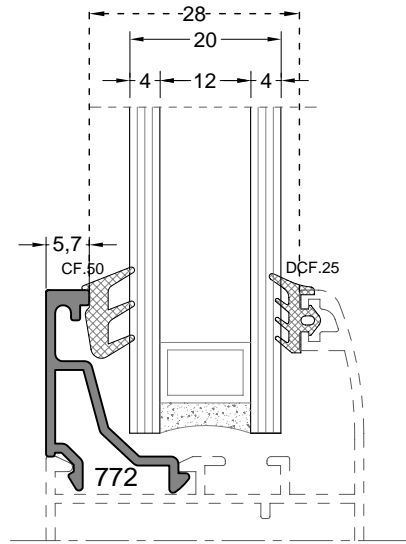
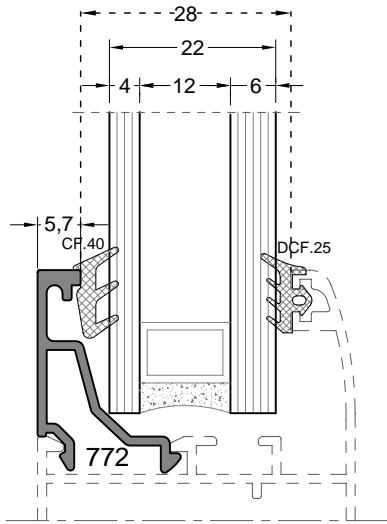
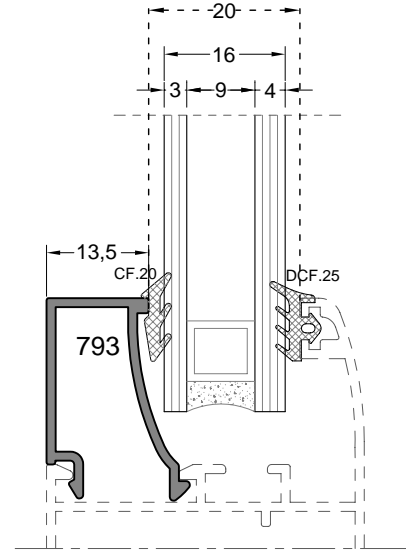
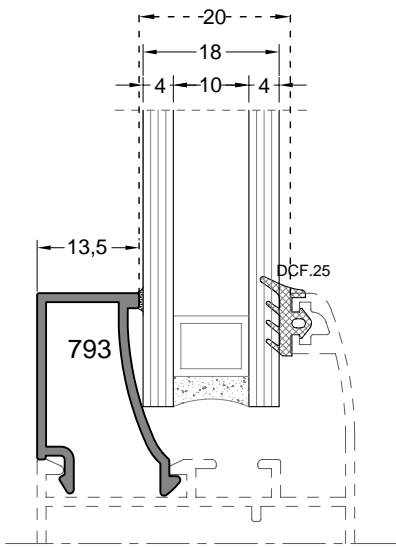


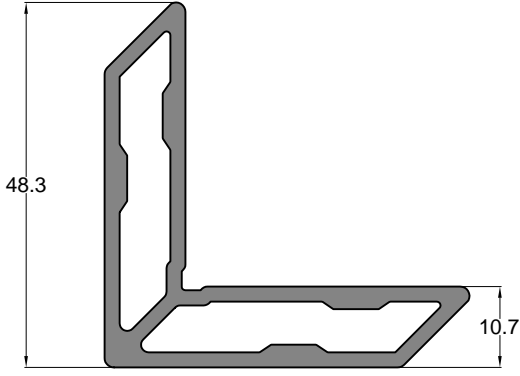
Cam Çıtası	Profil Kodu	(kg/mt)
GLAZING BEAD	Profile Code	Weight
	772	0,225



Cam Çıtası	Profil Kodu	(kg/mt)
GLAZING BEAD	Profile Code	Weight
	771	0,165

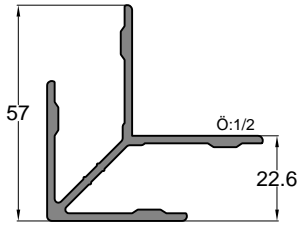






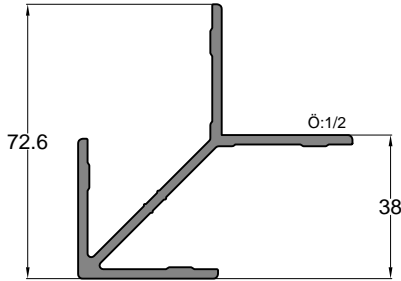
Kö e Çavu Profil Kodu Corner Connection Profile Code	Kullanıldı ı Profil Compatible Profile	Kesim Boyu (mm) Cutting Length (mm)
386	643	19.00 mm
	649	26.20 mm

Kö e Çavu Profili CORNER CONNECTION PROFILE	Profil Kodu Profile Code	(kg/mt) weight
	386	1,088



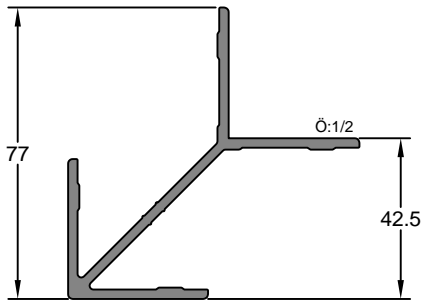
Kö e Çavu Profil Kodu Corner Connection Profile Code	Kullanıldı ı Profil Compatible Profile	Kesim Boyu (mm) Cutting Length (mm)
388	644	8.70 mm
	646	16.70 mm

Kö e Çavu Profili CORNER CONNECTION PROFILE	Profil Kodu Profile Code	(kg/mt) weight
	388	1,012



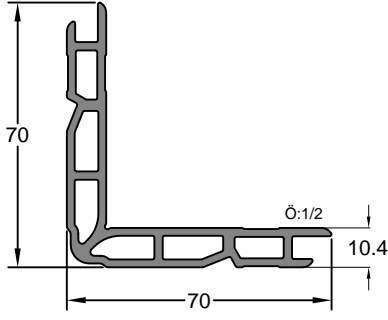
Kö e Çavu Profil Kodu Corner Connection Profile Code	Kullanıldı ı Profil Compatible Profile	Kesim Boyu (mm) Cutting Length (mm)
389	678	9.60 mm
	605	26.00 mm
	684	26.00 mm

Kö e Çavu Profili CORNER CONNECTION PROFILE	Profil Kodu Profile Code	(kg/mt) weight
	389	1,338



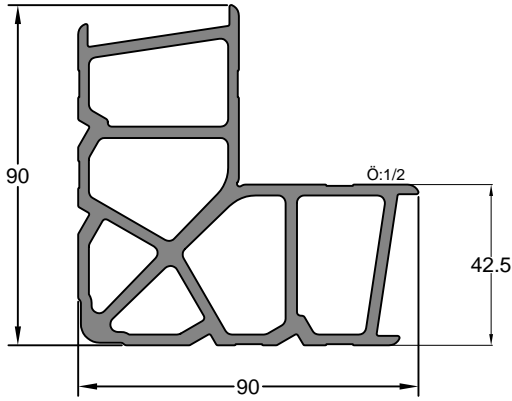
Kö e Çavu Profil Kodu Corner Connection Profile Code	Kullanıldı ı Profil Compatible Profile	Kesim Boyu (mm) Cutting Length (mm)
390	599	24.20 mm
	600	24.20 mm
	691	29.00 mm
	692	29.00 mm

Kö e Çavu Profili CORNER CONNECTION PROFILE	Profil Kodu Profile Code	(kg/mt) weight
	390	1,381



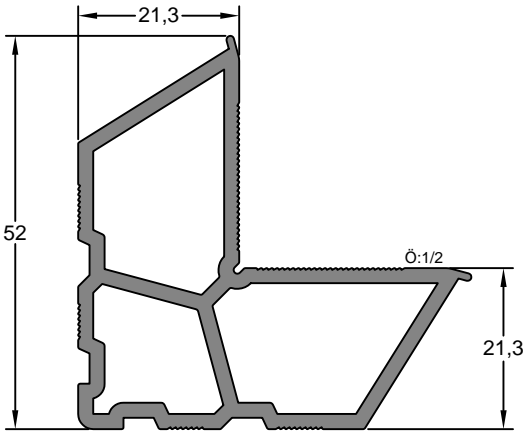
Kö e Takoz Profili CORNER WEDGE PROFILE	Profil Kodu Profile Code	(kg/mt) weight
	598	1,677

Kö e Takozu Profil Kodu Corner Wedge Profile Code	Kullanıldığı Profil Compatible Profile	Kesim Boyu (mm) Cutting Length (mm)
598	641	19.00 mm
	643	19.00 mm
	638	19.00 mm
	649	26.20 mm
	647	26.20 mm
	601	26.20 mm



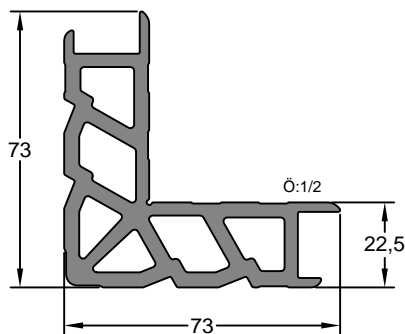
Kö e Takoz Profili CORNER WEDGE PROFILE	Profil Kodu Profile Code	(kg/mt) weight
	597	4,241

Kö e Takozu Profil Kodu Corner Wedge Profile Code	Kullanıldığı Profil Compatible Profile	Kesim Boyu (mm) Cutting Length (mm)
597	652	26.00 mm
	677	26.00 mm



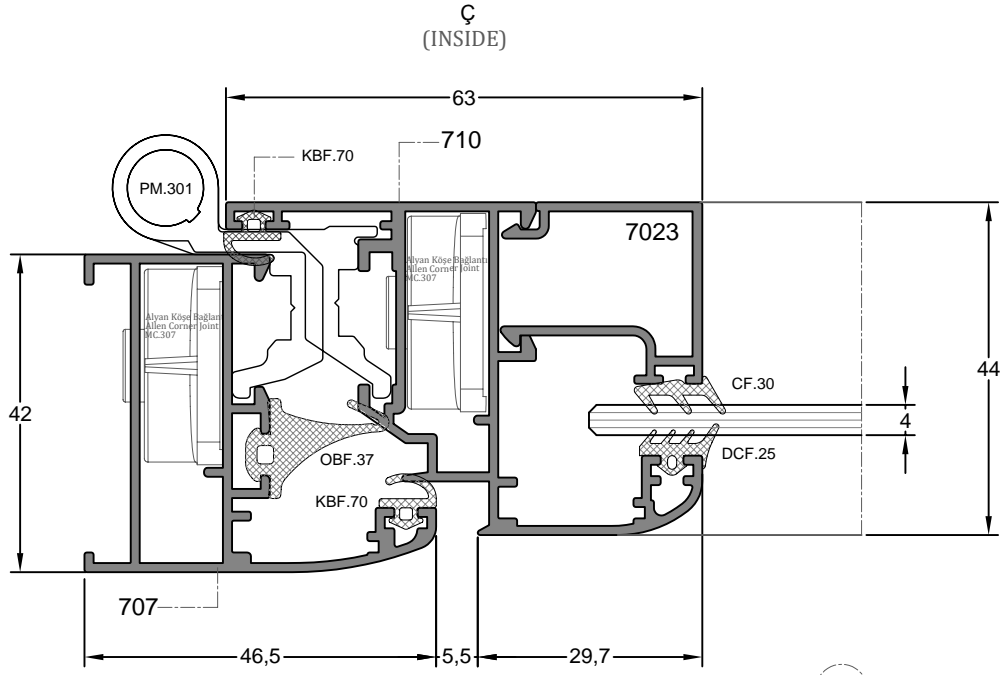
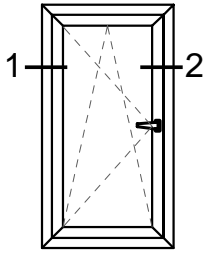
Kö e Takoz Profili CORNER WEDGE PROFILE	Profil Kodu Profile Code	(kg/mt) weight
	4777	4,598

Kö e Takozu Profil Kodu Corner Wedge Profile Code	Kullanıldığı Profil Compatible Profile	Kesim Boyu (mm) Cutting Length (mm)
4777	652	26.00 mm
	677	26.00 mm



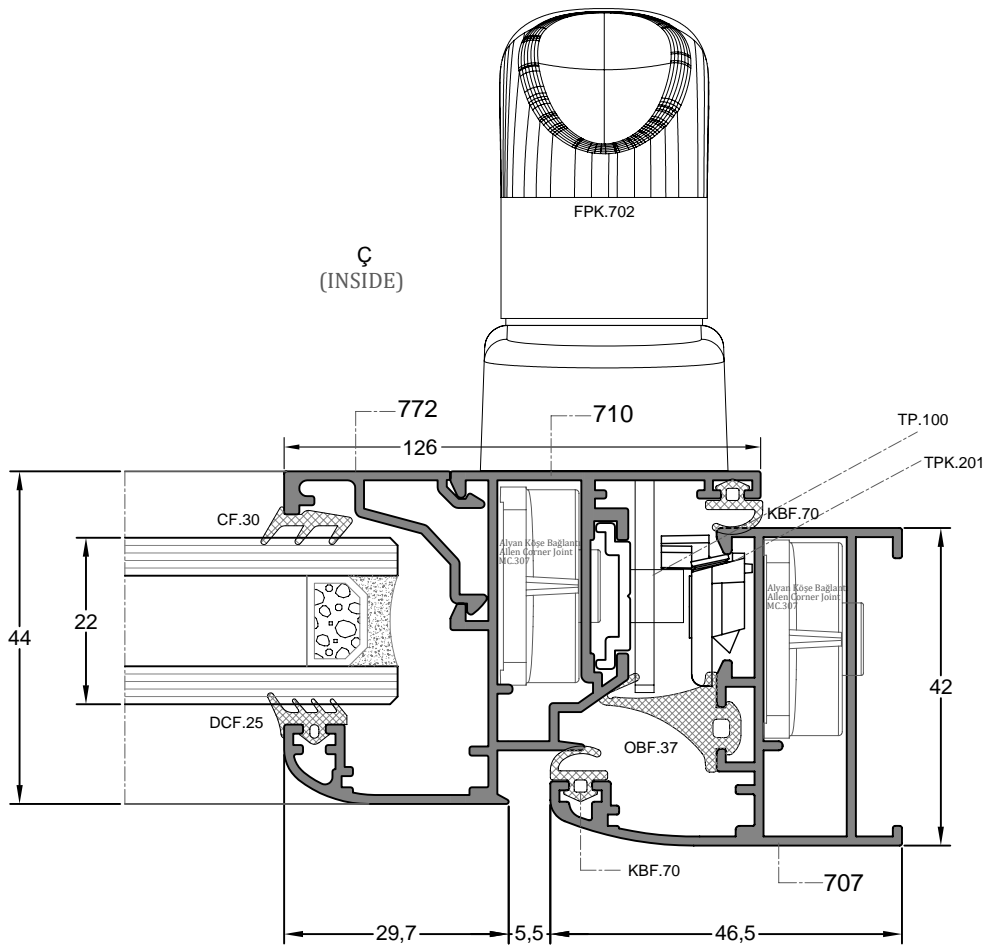
Kö e Takoz Profili CORNER WEDGE PROFILE	Profil Kodu Profile Code	(kg/mt) weight
	3088	3,498

Kö e Takozu Profil Kodu Corner Wedge Profile Code	Kullanıldığı Profil Compatible Profile	Kesim Boyu (mm) Cutting Length (mm)
3088	652	26.00 mm
	677	26.00 mm



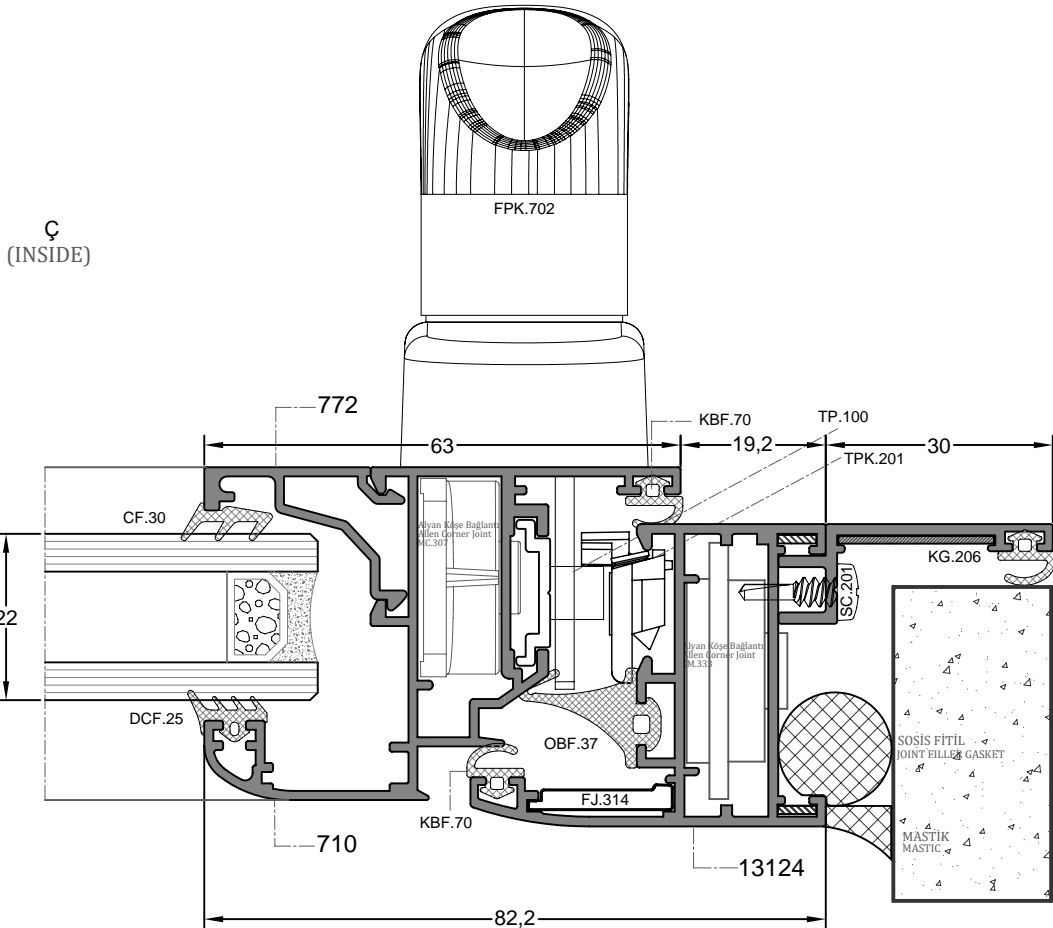
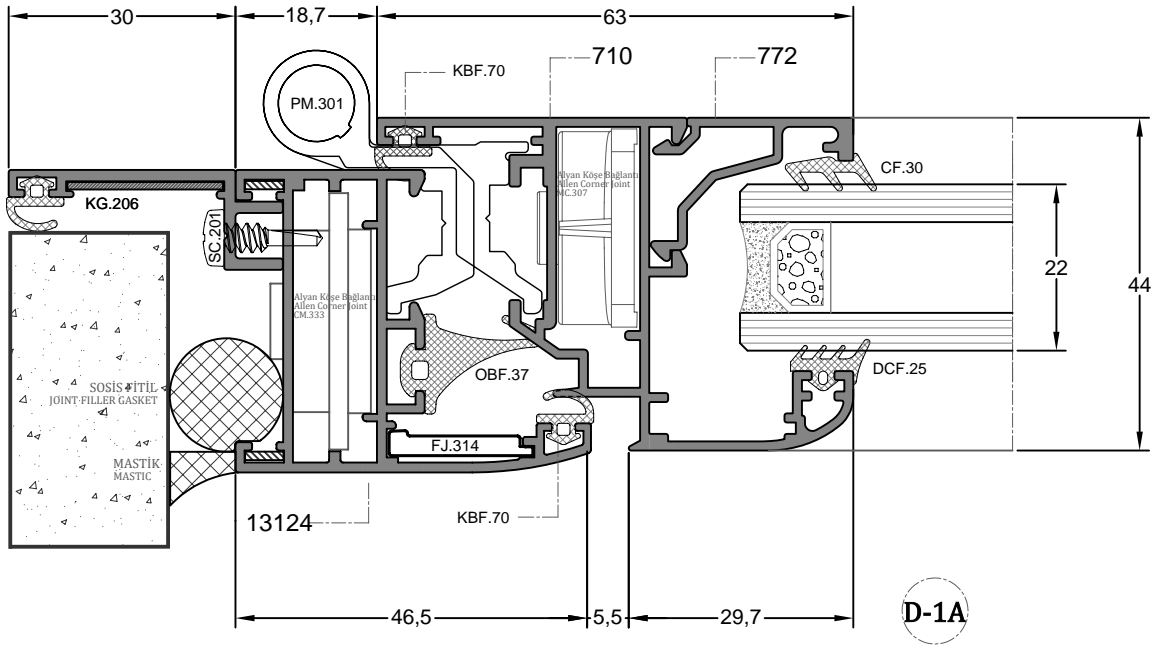
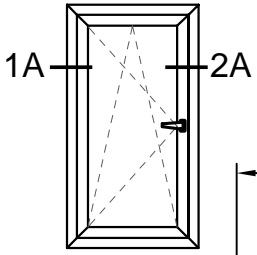
D-1

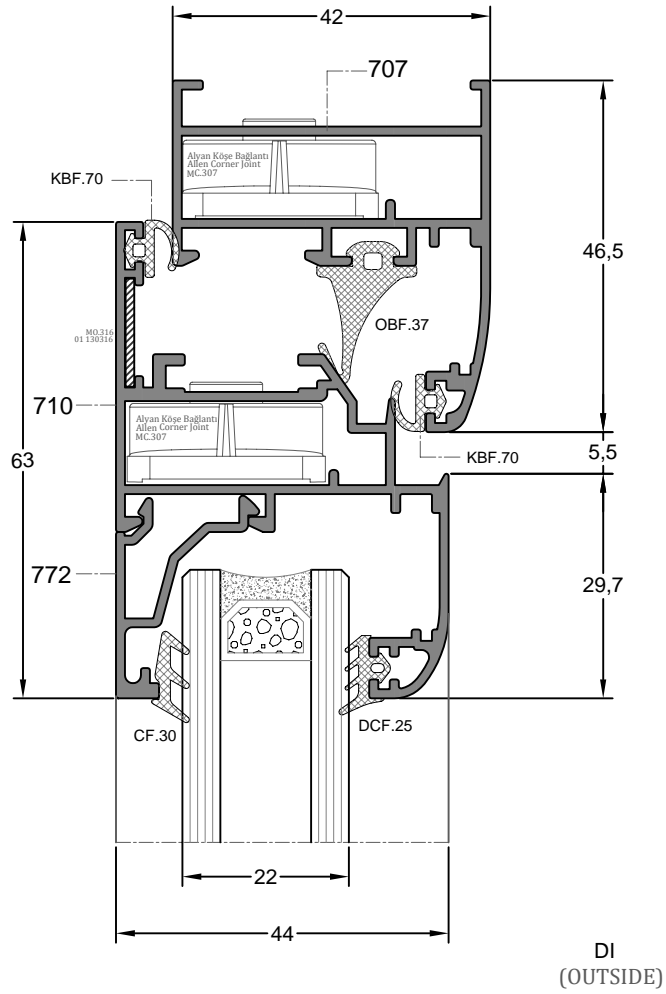
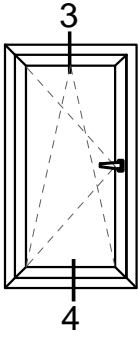
DI
(OUTSIDE)



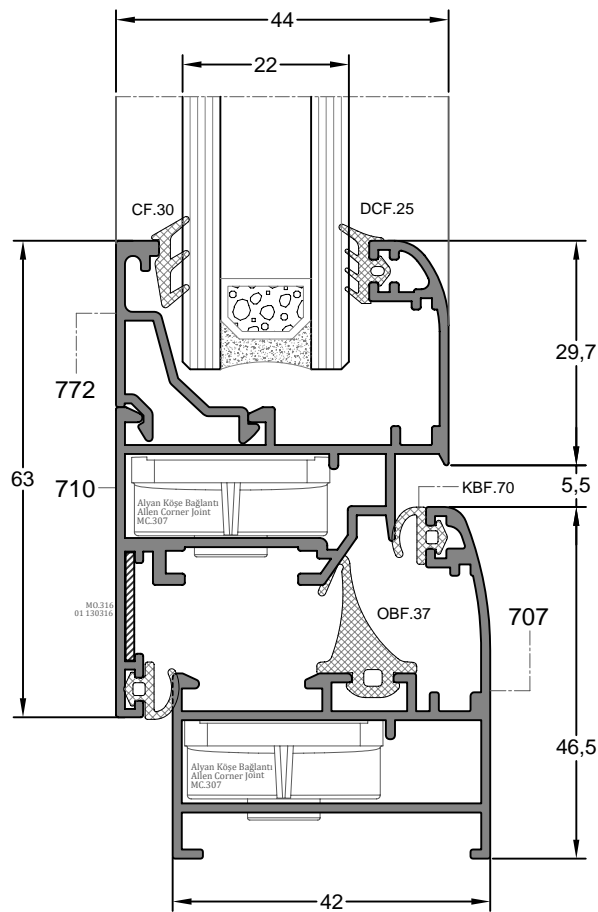
D-2

DI
(OUTSIDE)

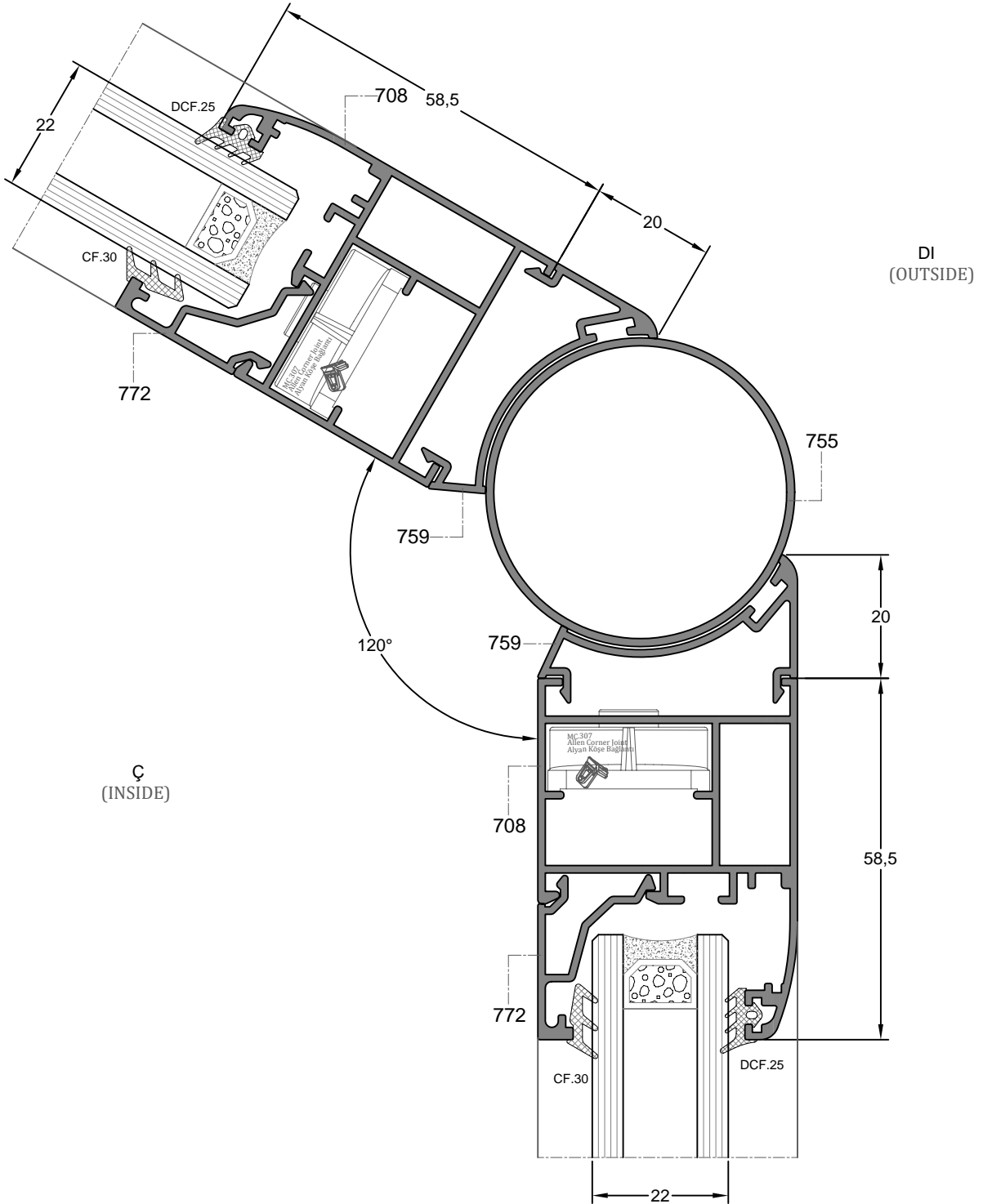
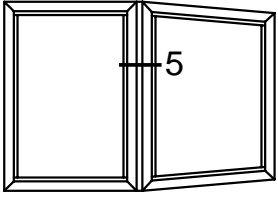




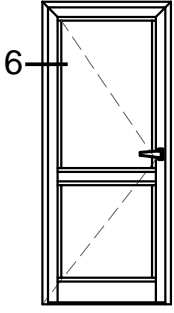
D-3



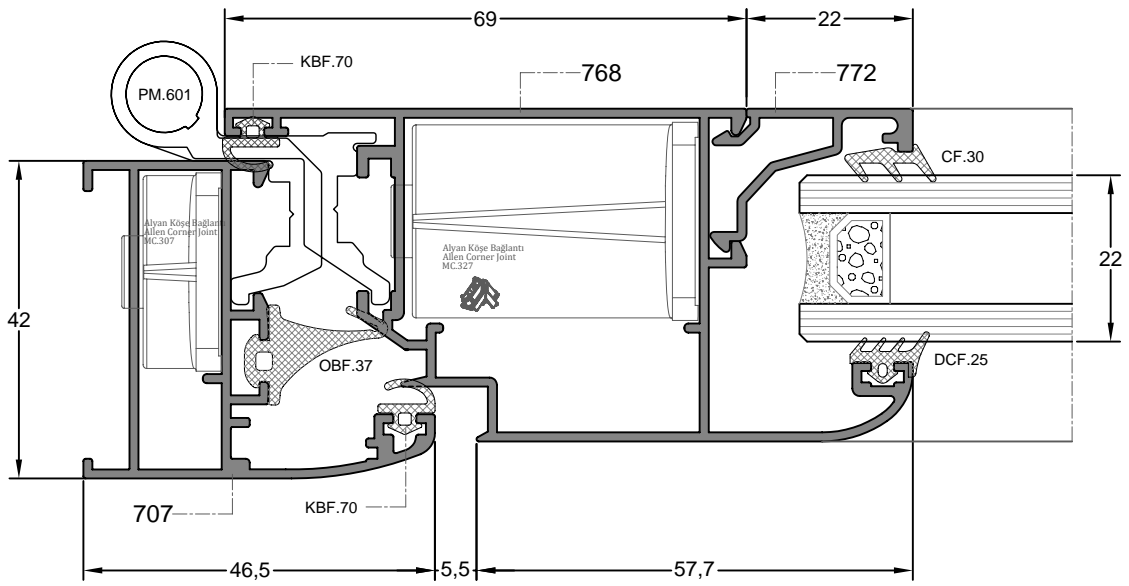
D-4



D-5

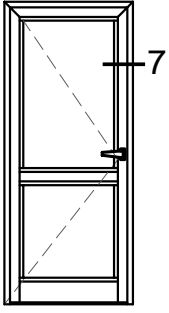


Ç
(INSIDE)

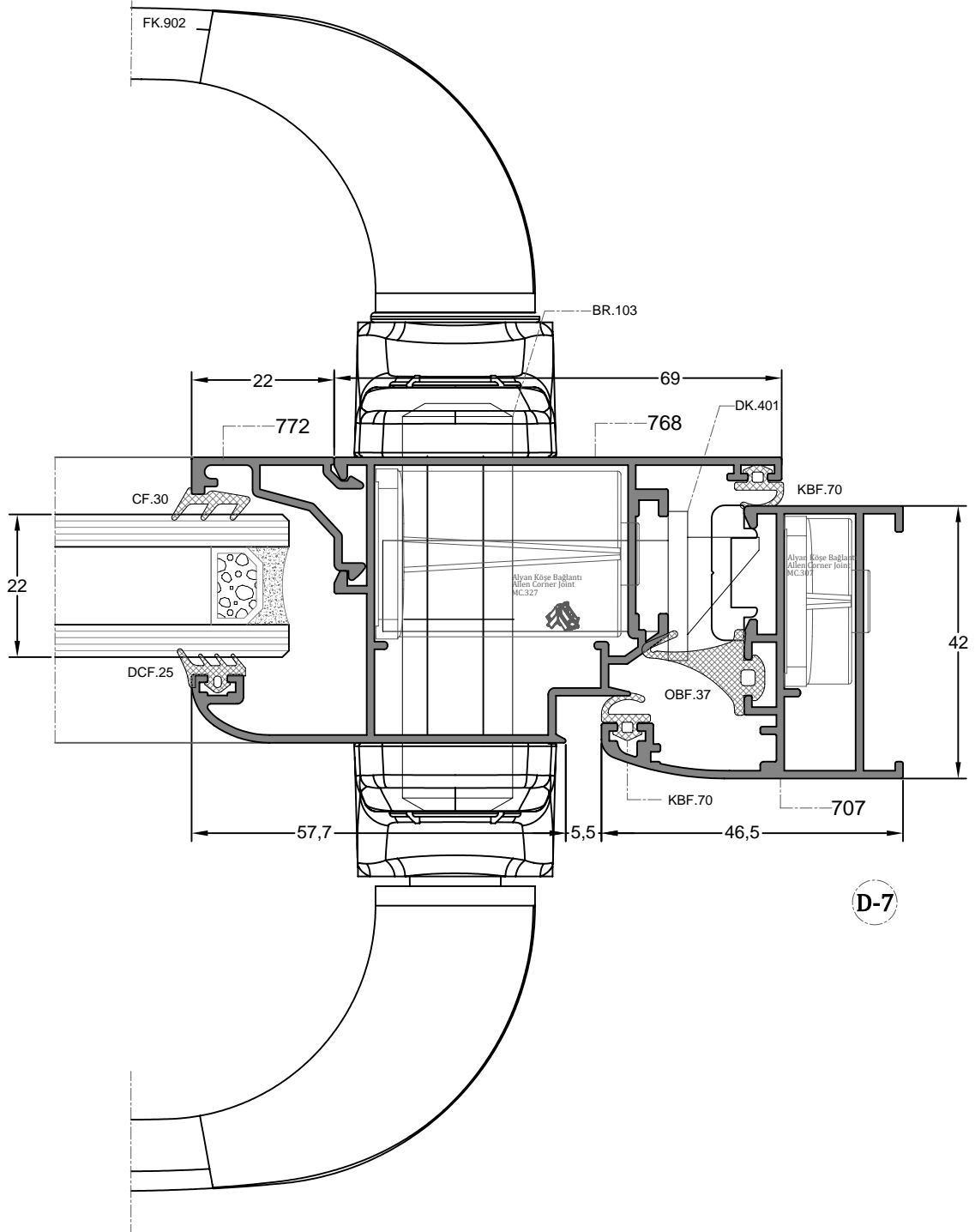


D-6

DI
(OUTSIDE)



Ç
(INSIDE)



DI
(OUTSIDE)

